

ML MOTORS

ALUMINIUM HOUSING

ML series aluminium housing are single-phase dual-capacitor asynchronous motors, made of selected quality materials and conform to the IEC standard.

ML motors have good performance, safety and reliable operation, nice appearance and, can be maintained very conveniently, while with low noises, little vibration and at the same time of lightweight and simple construction.

These series motors are suitable for the occasion where the requirements of strong starting torque and high over load, such as air-compressors, pumps, fans, medical apparatus and instruments, and many other small machines.

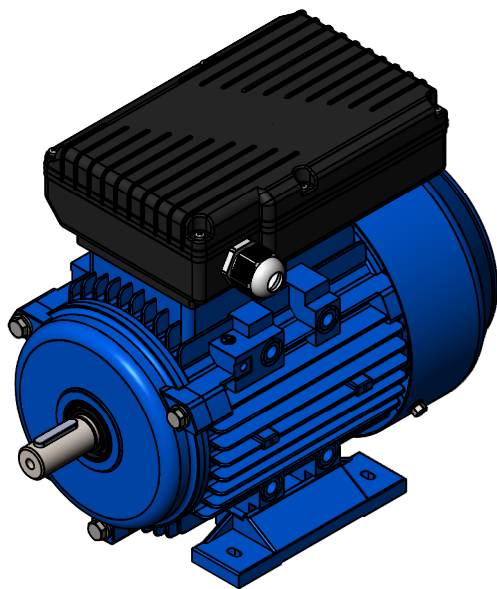
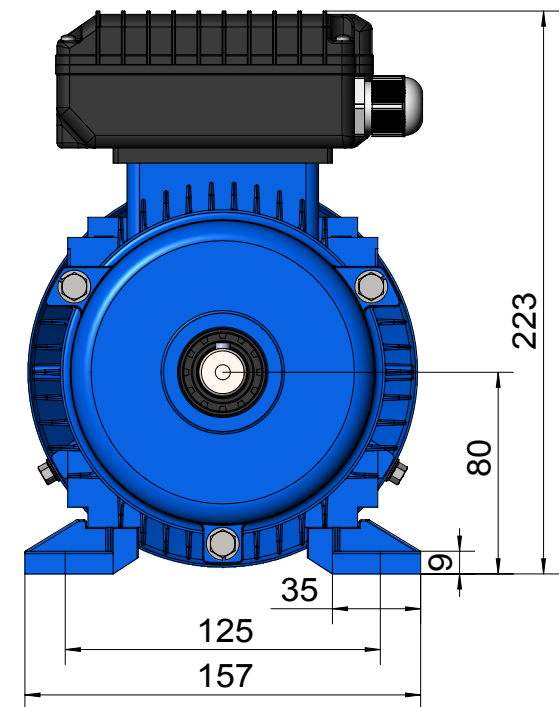
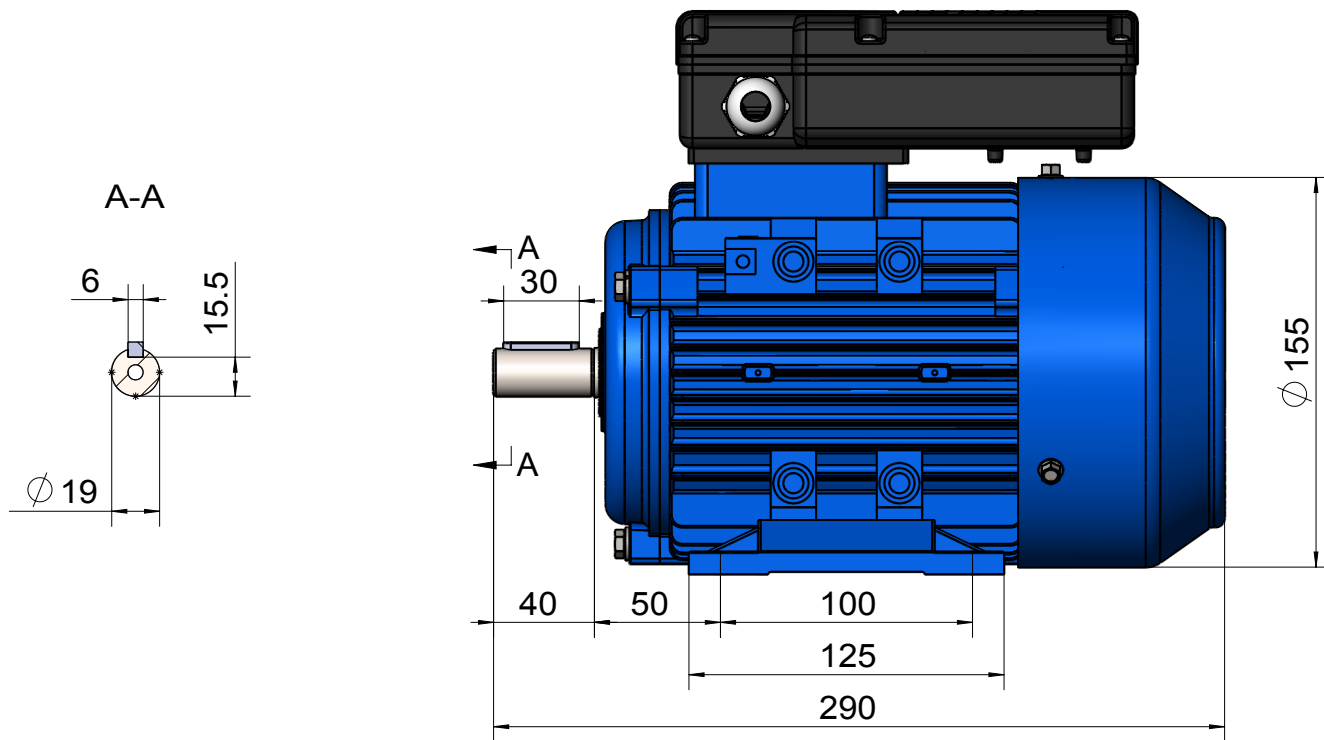


TECHNICAL DATA													
Model	Power (kW)	Speed (t/min)	Amps (A)			Hz	Eff. (%)	P.F Cos ϕ	Starting torque ratio	direct on linepull out torque ratio	Locked rotor torque	Noise (A)	Weight (Kg)
			220V	230V	240V								
ML711-2	0.37	2800	2.7	2.6	2.5	50Hz	67	0.92	1.8	1.6	5.5	72	6.1
ML712-2	0.55	2800	3.9	3.7	3.6	50Hz	70	0.92	1.8	1.6	5.5	72	6.9
ML711-4	0.25	1400	2.0	1.9	1.8	50Hz	62	0.92	1.7	1.6	5.0	67	5.8
ML712-4	0.37	1400	2.8	2.7	2.6	50Hz	65	0.92	1.7	1.6	5.0	67	7.5
ML801-2	0.75	2800	4.9	4.7	4.5	50Hz	73	0.95	1.8	1.6	5.5	75	10.5
ML802-2	1.10	2800	7.0	6.7	6.4	50Hz	75	0.95	1.8	1.6	5.5	75	11
ML801-4	0.55	1400	3.9	3.8	3.6	50Hz	69	0.92	1.7	1.6	5.0	70	10
ML802-4	0.75	1400	5.1	4.8	4.6	50Hz	71	0.95	1.7	1.6	5.0	70	10.5
ML90S-2	1.50	2800	9.4	9.0	8.7	50Hz	76	0.95	1.8	1.6	5.5	78	14.5
ML90L-2	2.20	2800	13.7	13.1	12.5	50Hz	77	0.95	1.7	1.6	5.5	78	17
ML90L1-4	1.10	1400	7.3	7.0	6.7	50Hz	72	0.95	1.7	1.6	5.0	73	14
ML90L2-4	1.50	1400	9.7	9.3	8.9	50Hz	74	0.95	1.7	1.6	5.0	73	16
ML100L-2	3.00	2800	18.2	17.4	16.7	50Hz	79	0.95	1.7	1.6	6.0	83	22
ML100L1-4	2.20	1400	13.9	13.2	12.7	50Hz	76	0.95	1.7	1.6	5.0	78	21
ML100L2-4	3.00	1400	18.4	17.6	16.9	50Hz	78	0.95	1.7	1.6	5.0	78	27
ML112M-2	3.70	2800	22.4	21.4	20.5	50Hz	79	0.95	1.7	1.6	6.0	83	33
ML112M-4	3.70	1400	22.7	21.7	20.8	50Hz	78	0.95	1.7	1.6	5.5	83	39

The rating plate values can be different from the calculated values: Data subject to changes.

This document is exclusive property of FOCQUET SA. Reprinting is not allowed without written authorization.





GMYL-80-B3
Mounting diagram