

## MY MOTORS

### ALUMINIUM HOUSING

MY series are single-phase capacitor asynchronous motors, made of selected quality materials and conform to the IEC standard.

ML motors have good performance, safety and reliable operation, nice appearance and, can be maintained very conveniently, while with low noises, little vibration and at the same time of lightweight and simple construction.

These series motors are suitable for air-compressors, pumps, fans, and many other small machines.

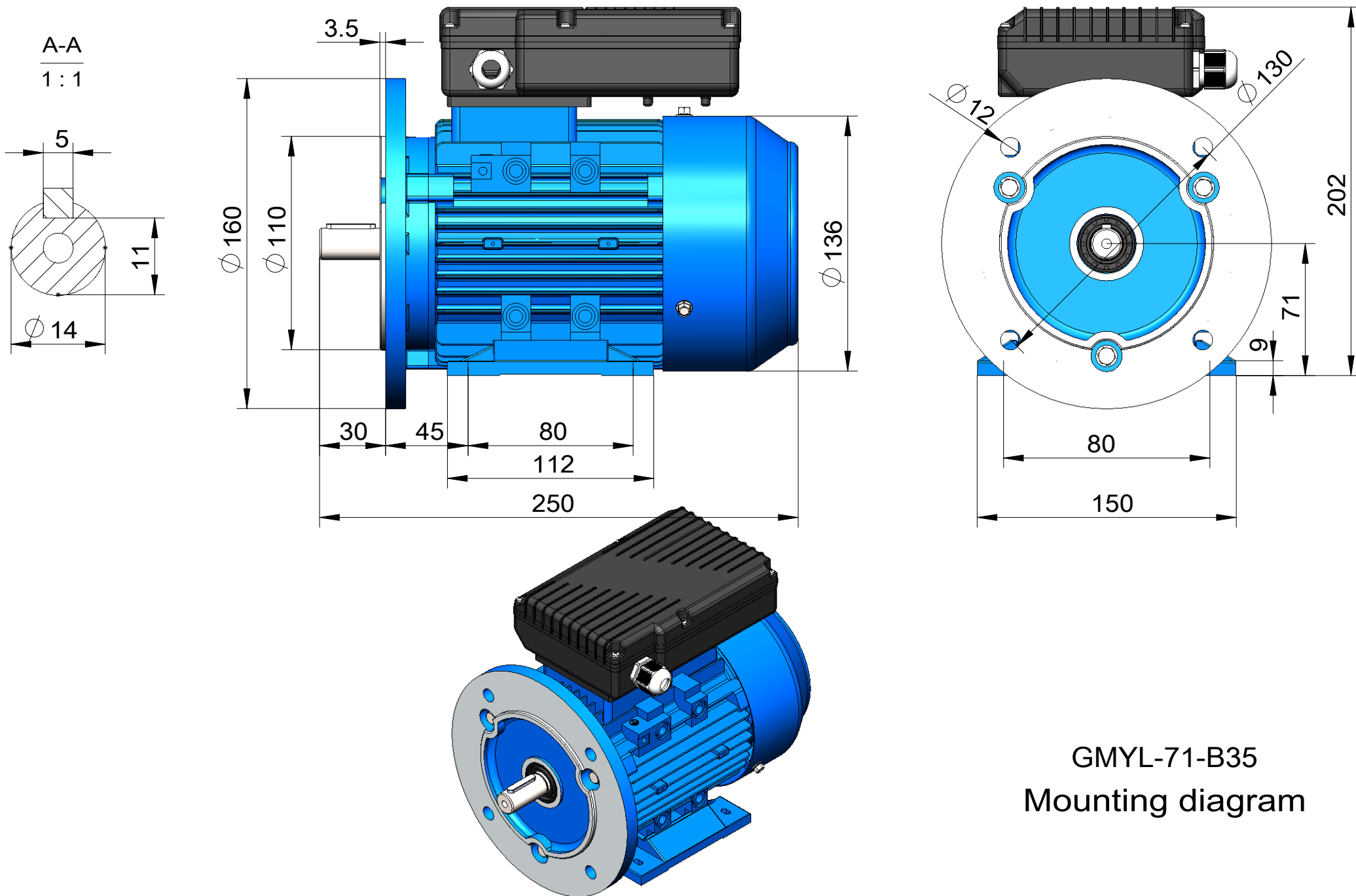


#### TECHNICAL DATA

Model	Power (kW)	Speed (t/min)	Amps (A)			Hz	Eff. (%)	P.F Cos φ	Starting torque ratio	direct on linepull out torque ratio	Locked rotor torque	Noise (A)	Weight (Kg)
			220V	230V	240V				LRT/RLT	BDT/RLT	LRA		
GMYY63M1-2	0.18	2790	1.4	1.3	1.3	50Hz	65	0.92	0.4	1.7	5	70	4.8
GMYY63M2-2	0.25	2790	1.9	1.8	1.7	50Hz	66	0.92	0.4	1.7	7	70	5.2
GMYY63M1-4	0.12	1390	1.1	1.0	1.0	50Hz	57	0.9	0.4	1.7	3.5	65	4.8
GMYY63M2-4	0.18	1390	1.5	1.5	1.4	50Hz	59	0.9	0.35	1.7	5	65	5.2
GMYY71M1-2	0.37	2800	2.7	2.6	2.5	50Hz	67	0.92	0.35	1.7	10	75	6.5
GMYY71M2-2	0.55	2800	3.9	3.7	3.6	50Hz	70	0.92	0.35	1.7	15	75	6.8
GMYY71M1-4	0.25	1400	2.0	1.9	1.9	50Hz	61	0.92	0.35	1.7	7	65	6.4
GMYY71M2-4	0.37	1400	2.9	2.8	2.7	50Hz	62	0.92	0.35	1.7	10	70	6.7
GMYY80M1-2	0.75	2800	5.1	4.9	4.7	50Hz	72	0.92	0.33	1.7	20	75	8.2
GMYY80M2-2	1.10	2800	7.0	6.7	6.4	50Hz	75	0.95	0.33	1.7	30	78	9.6
GMYY80M1-4	0.55	1400	4.2	4.1	3.9	50Hz	64	0.92	0.35	1.7	15	70	8
GMYY80M2-4	0.75	1400	5.4	5.2	5.0	50Hz	68	0.92	0.32	1.7	20	70	9.8
GMYY90S-2	1.50	2800	9.4	9.0	8.7	50Hz	76	0.95	0.3	1.7	45	83	19
GMYY90L-2	2.20	2800	13.7	13.1	12.5	50Hz	77	0.95	0.3	1.7	65	83	24
GMYY90L1-4	1.10	1400	7.4	7.1	6.8	50Hz	71	0.95	0.32	1.7	30	73	14.5
GMYY90L2-4	1.50	1400	9.8	9.4	9.0	50Hz	73	0.95	0.3	1.7	45	78	18
GMYY100L-2	3.00	2810	18.6	17.8	17.1	50Hz	77	0.95	0.28	1.7	100	83	25.5
GMYY100L1-4	2.20	1410	14.4	13.8	13.2	50Hz	73	0.95	0.28	1.7	60	78	24.5
GMYY100L2-4	3.00	1410	19.7	18.8	18.0	50Hz	73	0.95	0.28	1.7	74	78	26.5

The rating plate values can be different from the calculated values: Data subject to changes.

This document is exclusive property of FOCQUET SA. Reprinting is not allowed without written authorization.



GMYL-71-B35  
Mounting diagram